



Constant force springs are a special variety of extension spring. They are tightly coiled wound bands of pre-hardened spring steel or stainless steel strip with built-in curvature so that each turn of the strip wraps tightly on its inner neighbor. When the strip is extended (deflected) the inherent stress resists the loading force, the same as a common extension spring, but at a nearly constant (zero) rate.

The constant-force spring is well suited to long extensions with no load build-up. In use, the spring is usually mounted with the ID tightly wrapped on a drum and the free end attached to the loading force, such as in a counterbalance application. This relationship can be reversed, however, with the free end mounted stationary and the spring itself providing the working force, as with carbon brushes in electrical apparatus. Considerable flexibility is possible with constant-force springs because the load capacity can be multiplied by using two or more strips in tandem, or back-to-back.

### Comprehensive Capabilities

#### Ends:

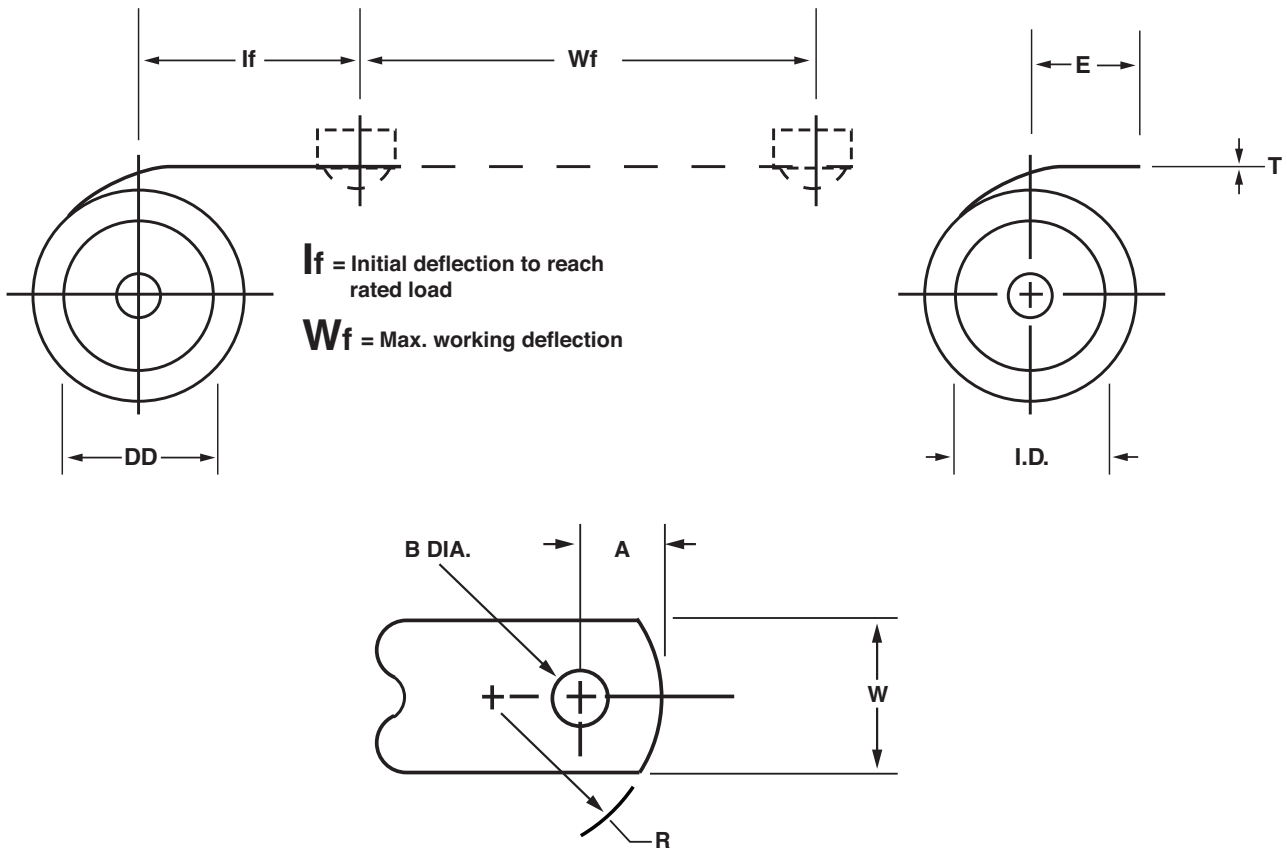
- Holes • Hooks • T Ends • Separating Cut Ends

**Wire thickness from .004" through .047"**

**Wire width from .110" through 1.97"**

#### Materials:

- Stainless Steel 301 • Carbon Steel • Inconel®



INDICATE UNITS OF MEASURE (IN. & LB.), (MM & KG)

1. MATERIAL \_\_\_\_\_
2. MATERIAL THICKNESS \_\_\_\_\_
3. MATERIAL WIDTH \_\_\_\_\_
4. LENGTH \_\_\_\_\_
5. INSIDE DIA \_\_\_\_\_
6. DRUM DIA \_\_\_\_\_
7. LOAD \_\_\_\_\_ +/- \_\_\_\_\_  
 @ WORKING DEFLECTION \_\_\_\_\_
8. LIFE CYCLES \_\_\_\_\_
9. STANDARD END CONFIGURATION: (OTHER CONFIGURATIONS AVAILABLE UPON REQUEST)  
 DIMENSION 'A' \_\_\_\_\_  
 DIMENSION 'B' (DIA) \_\_\_\_\_  
 END RADIUS 'R' \_\_\_\_\_  
 PICKUP LENGTH 'E' \_\_\_\_\_
10. FINISH \_\_\_\_\_
11. OPERATING TEMP. \_\_\_\_\_ °F
12. OTHER: \_\_\_\_\_

COMPANY: \_\_\_\_\_

ADDRESS: \_\_\_\_\_  
 \_\_\_\_\_

CITY: \_\_\_\_\_

STATE: \_\_\_\_\_ ZIP: \_\_\_\_\_

CONTACT: \_\_\_\_\_

PHONE: \_\_\_\_\_

FAX: \_\_\_\_\_

EMAIL: \_\_\_\_\_

QUANTITIES TO BE QUOTED: \_\_\_\_\_

END USE OR APPLICATION: \_\_\_\_\_  
 \_\_\_\_\_  
 \_\_\_\_\_