

Lee Spring Company manufactures custom battery springs, as well as stamped and fourslide contacts to match your specifications.

Custom Battery Springs can be configured to meet custom specifications and materials. When designing Battery Springs, determine the contact location based on the American National Standards Institute (ANSI) and International Electrotechnical Commission (IEC) standard dimensions. Reference should be made to ANSI Standard C18 and IEC Standard IEC86.

Designs can be accommodated for a wide range of Battery sizes, beyond the commonly specified AA, AAA, C and D sizes.

### Comprehensive Capabilities

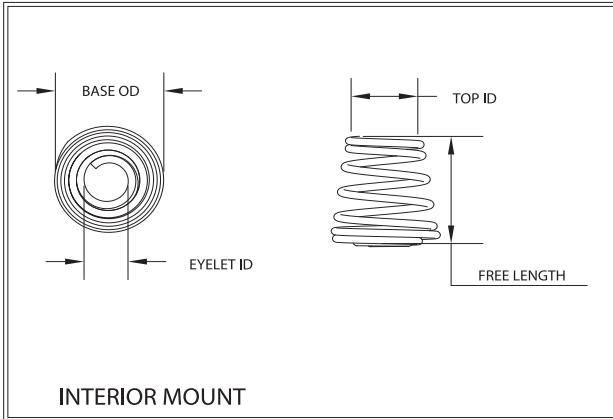
#### Configurations:

- Interior Mount • Exterior Mount • Double Mount

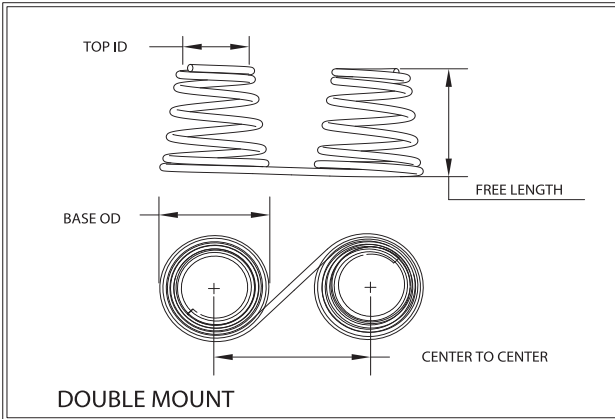
#### Materials:

- Nickel Plated Carbon Steel • Beryllium Copper
- Silver Plated Beryllium Copper • Phosphor Bronze
- Stainless Steel 17-7, 302, 304 and 316

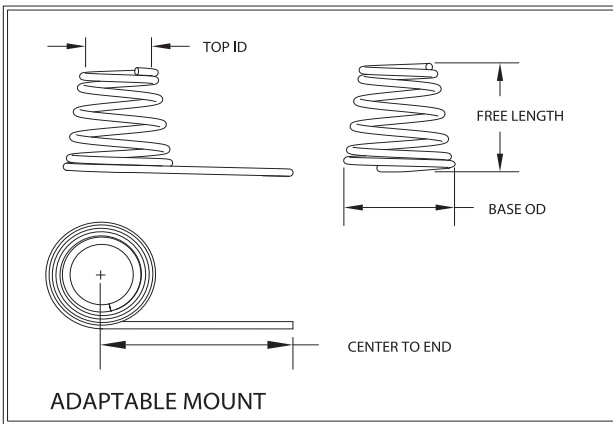
SPRING TYPE (I)



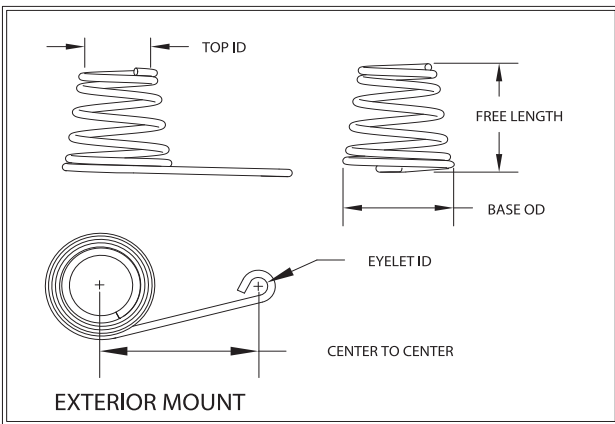
SPRING TYPE (II)



SPRING TYPE (III)



SPRING TYPE (IV)



**INDICATE UNITS OF MEASURE (IN. & LB.), (MM & KG)**

1. **SPRING TYPE**      I     II     III     IV
2. **BATTERY TYPE**    AA     AAA     C     D
3. **MATERIAL** \_\_\_\_\_
4. **WIRE DIAMETER** \_\_\_\_\_
5. **BASE OD** \_\_\_\_\_ +/- \_\_\_\_\_
6. **TOP ID** \_\_\_\_\_ +/- \_\_\_\_\_
7. **FREE LENGTH** \_\_\_\_\_ +/- \_\_\_\_\_
8. **CENTER TO CENTER/END** \_\_\_\_\_ +/- \_\_\_\_\_
9. **EYELET ID** \_\_\_\_\_ +/- \_\_\_\_\_
10. **NUMBER OF ACTIVE COILS** \_\_\_\_\_
11. **TOTAL NUMBER OF COILS** \_\_\_\_\_
12. **APPROX. LOAD** \_\_\_\_\_ @ \_\_\_\_\_
13. **FINISH** \_\_\_\_\_

COMPANY: \_\_\_\_\_

ADDRESS: \_\_\_\_\_

\_\_\_\_\_

CITY: \_\_\_\_\_

STATE: \_\_\_\_\_ ZIP: \_\_\_\_\_

CONTACT: \_\_\_\_\_

PHONE: \_\_\_\_\_

FAX: \_\_\_\_\_

EMAIL: \_\_\_\_\_

QUANTITIES TO BE QUOTED: \_\_\_\_\_

END USE OR APPLICATION: \_\_\_\_\_

\_\_\_\_\_

\_\_\_\_\_